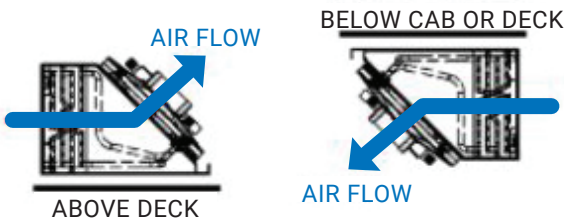
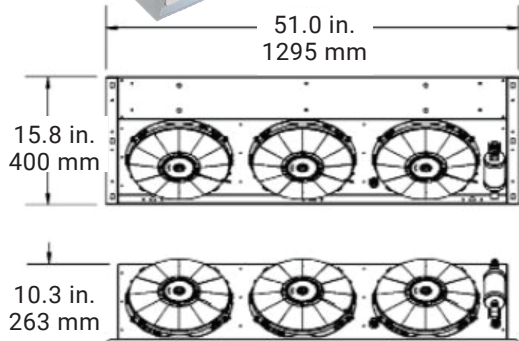


SKIRT MOUNTED CONDENSER UNITS

Construction • Agriculture • Forestry • Bus • Universal



Find A/C System
Tech Tips, Sales
Material, Videos & More
at gpdtechtips.com



PART NO.

43-3081-1000 (12VDC)

43-3081-2000 (24VDC)

3081 is a 3 fan high capacity condenser ideal for use with large or multiple mid-size evaporators. Various mounting configurations make this unit easily adaptable to most vehicles. Drier, bracket mount, and drier bracket ships uninstalled for versatile mounting.

**Due to size and weight this unit must be shipped LTL*

SPECIFICATIONS

Capacity..... 82,000 BTU/hr
 Current Draw..... 30 amps @ 12VDC....15 amps @ 24VDC
 Weight..... 50 LBS
 Condenser Coil... Copper Tubing Aluminum Coated Fin
 Dimensions..... 51"L x 15.8"W x 10.3"H
 Motor..... 12" Condenser Fan

OPTIONS

- Remote Evaporator
- Remote Compressor
- Refrigeration Hose Kit
- Condenser Guard

SERVICE PARTS

- Condenser Coil... 10-10-3081
- Condenser Fan
- 12VDC..... 14-10-1230
- 24VDC..... 14-10-1231
- Drier..... 13-10-3000

PART NO.

43-3045-1112 (12VDC)

43-3045-2112 (24VDC)

3045 is a high capacity dual fan wedge condenser (3040 single fan wedge condenser also available) constructed out of heavy duty aluminum with multiple mounting configurations. It is available in both 12 and 24 volt configurations and with left or right hand side connection points.

**Due to size and weight this unit must be shipped LTL*

SPECIFICATIONS

Capacity..... 47,400 BTU/hr
 Current Draw... 23 amps @ 12VDC
 ... 13 amps @ 24VDC
 Weight..... 40 LBS
 Condenser Coil.. Copper Tubing Aluminum Fin
 Dimensions..... 29.46"L x 12.26"W x 11.36"H
 Motor..... 12" Condenser Fan

OPTIONS

- Remote Evaporator
- Remote Compressor
- Alternate Side Hose Kit

SERVICE PARTS

- Coil... 10-10-3040
- Binary/Pressure Switch.. 12-10-3000
- Drier..... 13-10-3000
- Fan..... 14-10-1230
- Wire Harness..... 33-3040-001

